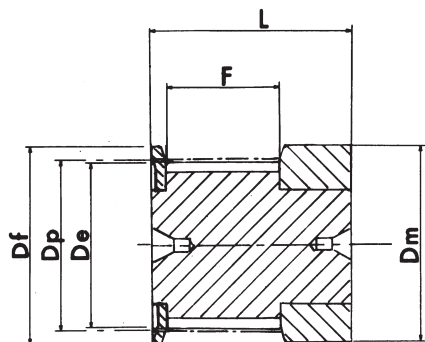
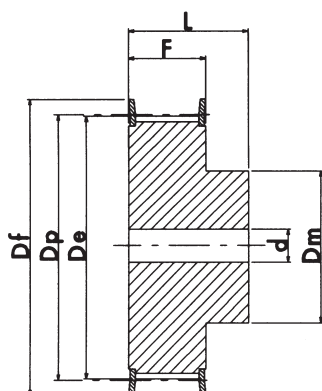




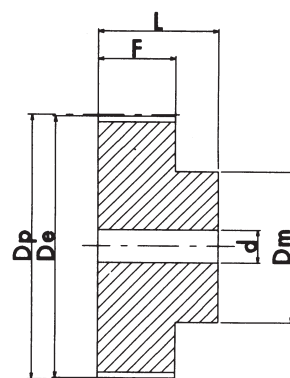
# PULEGGE DENTATE PASSO METRICO "T"



ESECUZIONE OF



ESECUZIONE 1F



ESECUZIONE 2

Esempio di come identificare una puleggia: 31 T10 25

Larghezza puleggia (mm) 31  
 Passo puleggia (mm) T10  
 N° denti puleggia 25

Materiale: ALLUMINIO  
 adatto per l'ossidazione dura a spessore

## T 2.5 (Passo 2.5mm) PER CINGHIA LARGHEZZA 6mm

|           | DESCRIZIONE | ESEC. | N. denti | Dp    | De    | Df   | Dm | F  | L  | d | FLANGIA N. |
|-----------|-------------|-------|----------|-------|-------|------|----|----|----|---|------------|
| ALLUMINIO | 16 T2.5 12  | OF    | 12       | 9.60  | 9.00  | 13.0 | 13 | 9  | 16 | - | 501        |
|           | 16 T2.5 14  | OF    | 14       | 11.20 | 10.60 | 15.0 | 15 | 9  | 16 | - | 502        |
|           | 16 T2.5 15  | OF    | 15       | 12.00 | 11.40 | 15.0 | 15 | 9  | 16 | - | 502        |
|           | 16 T2.5 16  | OF    | 16       | 12.80 | 12.20 | 16.0 | 16 | 9  | 16 | - | 503        |
|           | 16 T2.5 18  | 1F    | 18       | 14.40 | 13.80 | 17.5 | 10 | 10 | 16 | - | 504        |
|           | 16 T2.5 19  | 1F    | 19       | 15.20 | 14.60 | 20.0 | 10 | 10 | 16 | - | 505        |
|           | 16 T2.5 20  | 1F    | 20       | 16.00 | 15.40 | 20.0 | 11 | 10 | 16 | - | 505        |
|           | 16 T2.5 22  | 1F    | 22       | 17.60 | 17.00 | 22.0 | 11 | 10 | 16 | - | 512        |
|           | 16 T2.5 24  | 1F    | 24       | 19.15 | 18.55 | 22.0 | 12 | 10 | 16 | 4 | 512        |
|           | 16 T2.5 25  | 1F    | 25       | 19.95 | 19.35 | 25.0 | 13 | 10 | 16 | 4 | 506        |
|           | 16 T2.5 26  | 1F    | 26       | 20.75 | 20.15 | 26.0 | 14 | 10 | 16 | 4 | 507        |
|           | 16 T2.5 28  | 1F    | 28       | 22.35 | 21.75 | 26.0 | 14 | 10 | 16 | 4 | 507        |
|           | 16 T2.5 30  | 1F    | 30       | 23.95 | 23.35 | 26.0 | 16 | 10 | 16 | 6 | 508        |
|           | 16 T2.5 32  | 1F    | 32       | 25.55 | 24.95 | 32.0 | 16 | 10 | 16 | 6 | 509        |
|           | 16 T2.5 36  | 1F    | 36       | 28.75 | 28.10 | 36.0 | 20 | 10 | 16 | 6 | 510        |
|           | 16 T2.5 40  | 1F    | 40       | 31.90 | 31.30 | 38.0 | 22 | 10 | 16 | 6 | 511        |
|           | 16 T2.5 44  | 2     | 44       | 35.10 | 34.50 | -    | 24 | 10 | 16 | 6 | -          |
|           | 16 T2.5 48  | 2     | 48       | 38.30 | 37.70 | -    | 26 | 10 | 16 | 6 | -          |
|           | 16 T2.5 60  | 2     | 60       | 47.85 | 47.25 | -    | 34 | 10 | 16 | 8 | -          |
|           |             |       |          |       |       |      |    |    |    |   |            |
|           |             |       |          |       |       |      |    |    |    |   |            |
|           |             |       |          |       |       |      |    |    |    |   |            |
|           |             |       |          |       |       |      |    |    |    |   |            |
|           |             |       |          |       |       |      |    |    |    |   |            |
|           |             |       |          |       |       |      |    |    |    |   |            |

A richiesta si costruiscono pulegge e barre passo T20



# PULEGGE DENTATE PASSO METRICO "T"

## T 5 (Passo 5mm) PER CINGHIA LARGHEZZA 10mm

|           | DESCRIZIONE | ESEC. | N. denti | Dp    | De    | Df   | Dm | F  | L  | d | FLANGIA N. |
|-----------|-------------|-------|----------|-------|-------|------|----|----|----|---|------------|
| ALLUMINIO | 21 T5 10    | 1F    | 10       | 15.92 | 15.05 | 19.5 | 8  | 15 | 21 | - | 3          |
|           | 21 T5 12    | 1F    | 12       | 19.10 | 18.25 | 23.0 | 11 | 15 | 21 | - | 1          |
|           | 21 T5 14    | 1F    | 14       | 22.29 | 21.45 | 25.0 | 13 | 15 | 21 | - | 2          |
|           | 21 T5 15    | 1F    | 15       | 23.88 | 23.05 | 28.0 | 16 | 15 | 21 | 6 | 4          |
|           | 21 T5 16    | 1F    | 16       | 25.47 | 24.60 | 32.0 | 18 | 15 | 21 | 6 | 5          |
|           | 21 T5 18    | 1F    | 18       | 28.65 | 27.80 | 32.0 | 20 | 15 | 21 | 6 | 6          |
|           | 21 T5 19    | 1F    | 19       | 30.25 | 29.40 | 36.0 | 22 | 15 | 21 | 6 | 8          |
|           | 21 T5 20    | 1F    | 20       | 31.83 | 31.00 | 36.0 | 23 | 15 | 21 | 6 | 8          |
|           | 21 T5 22    | 1F    | 22       | 35.02 | 34.15 | 38.0 | 24 | 15 | 21 | 6 | 9          |
|           | 21 T5 24    | 1F    | 24       | 38.21 | 37.40 | 42.0 | 26 | 15 | 21 | 6 | 13         |
|           | 21 T5 25    | 1F    | 25       | 39.80 | 38.95 | 44.0 | 26 | 15 | 21 | 6 | 12         |
|           | 21 T5 26    | 1F    | 26       | 41.39 | 40.60 | 44.0 | 26 | 15 | 21 | 6 | 12         |
|           | 21 T5 27    | 1F    | 27       | 42.98 | 42.20 | 48.0 | 30 | 15 | 21 | 8 | 11         |
|           | 21 T5 28    | 1F    | 28       | 44.58 | 43.75 | 48.0 | 32 | 15 | 21 | 8 | 11         |
|           | 21 T5 30    | 1F    | 30       | 47.76 | 46.95 | 51.0 | 34 | 15 | 21 | 8 | 16         |
|           | 21 T5 32    | 1F    | 32       | 50.94 | 50.10 | 54.0 | 38 | 15 | 21 | 8 | 18         |
|           | 21 T5 36    | 1F    | 36       | 57.31 | 56.45 | 64.0 | 38 | 15 | 21 | 8 | 23         |
|           | 21 T5 40    | 1F    | 40       | 63.66 | 62.85 | 66.5 | 40 | 15 | 21 | 8 | 24         |
|           | 21 T5 42    | 1F    | 42       | 66.86 | 66.00 | 70.0 | 40 | 15 | 21 | 8 | 26         |
|           | 21 T5 44    | 2     | 44       | 70.05 | 69.20 | -    | 45 | 15 | 21 | 8 | -          |
| 21 T5 48  | 2           | 48    | 76.42    | 75.55 | -     | 50   | 15 | 21 | 8  | - |            |
| 21 T5 60  | 2           | 60    | 95.52    | 94.65 | -     | 65   | 15 | 21 | 8  | - |            |

## T 5 (Passo 5mm) PER CINGHIA LARGHEZZA 16mm

|           | DESCRIZIONE | ESEC. | N. denti | Dp    | De    | Df   | Dm | F  | L  | d | FLANGIA N. |
|-----------|-------------|-------|----------|-------|-------|------|----|----|----|---|------------|
| ALLUMINIO | 27 T5 10    | 1F    | 10       | 15.92 | 15.05 | 19.5 | 8  | 21 | 27 | - | 3          |
|           | 27 T5 12    | 1F    | 12       | 19.10 | 18.25 | 23.0 | 11 | 21 | 27 | - | 1          |
|           | 27 T5 14    | 1F    | 14       | 22.29 | 21.45 | 25.0 | 13 | 21 | 27 | - | 2          |
|           | 27 T5 15    | 1F    | 15       | 23.88 | 23.05 | 28.0 | 16 | 21 | 27 | 6 | 4          |
|           | 27 T5 16    | 1F    | 16       | 25.47 | 24.60 | 32.0 | 18 | 21 | 27 | 6 | 5          |
|           | 27 T5 18    | 1F    | 18       | 28.65 | 27.80 | 32.0 | 20 | 21 | 27 | 6 | 6          |
|           | 27 T5 19    | 1F    | 19       | 30.25 | 29.40 | 36.0 | 22 | 21 | 27 | 6 | 8          |
|           | 27 T5 20    | 1F    | 20       | 31.83 | 31.00 | 36.0 | 23 | 21 | 27 | 6 | 8          |
|           | 27 T5 22    | 1F    | 22       | 35.02 | 34.15 | 38.0 | 24 | 21 | 27 | 6 | 9          |
|           | 27 T5 24    | 1F    | 24       | 38.21 | 37.40 | 42.0 | 26 | 21 | 27 | 6 | 13         |
|           | 27 T5 25    | 1F    | 25       | 39.80 | 38.95 | 44.0 | 26 | 21 | 27 | 6 | 12         |
|           | 27 T5 26    | 1F    | 26       | 41.39 | 40.60 | 44.0 | 26 | 21 | 27 | 6 | 12         |
|           | 27 T5 27    | 1F    | 27       | 42.98 | 42.20 | 48.0 | 30 | 21 | 27 | 8 | 11         |
|           | 27 T5 28    | 1F    | 28       | 44.58 | 43.75 | 48.0 | 32 | 21 | 27 | 8 | 11         |
|           | 27 T5 30    | 1F    | 30       | 47.76 | 46.95 | 51.0 | 34 | 21 | 27 | 8 | 16         |
|           | 27 T5 32    | 1F    | 32       | 50.94 | 50.10 | 54.0 | 38 | 21 | 27 | 8 | 18         |
|           | 27 T5 36    | 1F    | 36       | 57.31 | 56.45 | 64.0 | 38 | 21 | 27 | 8 | 23         |
|           | 27 T5 40    | 1F    | 40       | 63.66 | 62.85 | 66.5 | 40 | 21 | 27 | 8 | 24         |
|           | 27 T5 42    | 1F    | 42       | 66.86 | 66.00 | 70.0 | 40 | 21 | 27 | 8 | 26         |
|           | 27 T5 44    | 2     | 44       | 70.05 | 69.20 | -    | 45 | 21 | 27 | 8 | -          |
| 27 T5 48  | 2           | 48    | 76.42    | 75.55 | -     | 50   | 21 | 27 | 8  | - |            |
| 27 T5 60  | 2           | 60    | 95.52    | 94.65 | -     | 65   | 21 | 27 | 8  | - |            |

## T 5 (Passo 5mm) PER CINGHIA LARGHEZZA 25mm

|           | DESCRIZIONE | ESEC. | N. denti | Dp    | De    | Df   | Dm | F  | L  | d | FLANGIA N. |
|-----------|-------------|-------|----------|-------|-------|------|----|----|----|---|------------|
| ALLUMINIO | 36 T5 10    | 1F    | 10       | 15.92 | 15.05 | 19.5 | 8  | 30 | 36 | - | 3          |
|           | 36 T5 12    | 1F    | 12       | 19.10 | 18.25 | 23.0 | 11 | 30 | 36 | - | 1          |
|           | 36 T5 14    | 1F    | 14       | 22.29 | 21.45 | 25.0 | 13 | 30 | 36 | - | 2          |
|           | 36 T5 15    | 1F    | 15       | 23.88 | 23.05 | 28.0 | 16 | 30 | 36 | 6 | 4          |
|           | 36 T5 16    | 1F    | 16       | 25.47 | 24.60 | 32.0 | 18 | 30 | 36 | 6 | 5          |
|           | 36 T5 18    | 1F    | 18       | 28.65 | 27.80 | 32.0 | 20 | 30 | 36 | 6 | 6          |
|           | 36 T5 19    | 1F    | 19       | 30.25 | 29.40 | 36.0 | 22 | 30 | 36 | 6 | 8          |
|           | 36 T5 20    | 1F    | 20       | 31.83 | 31.00 | 36.0 | 23 | 30 | 36 | 6 | 8          |
|           | 36 T5 22    | 1F    | 22       | 35.02 | 34.15 | 38.0 | 24 | 30 | 36 | 6 | 9          |
|           | 36 T5 24    | 1F    | 24       | 38.21 | 37.40 | 42.0 | 26 | 30 | 36 | 8 | 13         |
|           | 36 T5 25    | 1F    | 25       | 39.80 | 38.95 | 44.0 | 26 | 30 | 36 | 8 | 12         |
|           | 36 T5 26    | 1F    | 26       | 41.39 | 40.60 | 44.0 | 26 | 30 | 36 | 8 | 12         |
|           | 36 T5 27    | 1F    | 27       | 42.98 | 42.20 | 48.0 | 30 | 30 | 36 | 8 | 11         |
|           | 36 T5 28    | 1F    | 28       | 44.58 | 43.75 | 48.0 | 32 | 30 | 36 | 8 | 11         |
|           | 36 T5 30    | 1F    | 30       | 47.76 | 46.95 | 51.0 | 34 | 30 | 36 | 8 | 16         |
|           | 36 T5 32    | 1F    | 32       | 50.94 | 50.10 | 54.0 | 38 | 30 | 36 | 8 | 18         |
|           | 36 T5 36    | 1F    | 36       | 57.31 | 56.45 | 64.0 | 38 | 30 | 36 | 8 | 23         |
|           | 36 T5 40    | 1F    | 40       | 63.66 | 62.85 | 66.5 | 40 | 30 | 36 | 8 | 24         |
|           | 36 T5 42    | 1F    | 42       | 66.86 | 66.00 | 70.0 | 40 | 30 | 36 | 8 | 26         |
|           | 36 T5 44    | 2     | 44       | 70.05 | 69.20 | -    | 45 | 30 | 36 | 8 | -          |
| 36 T5 48  | 2           | 48    | 76.42    | 75.55 | -     | 50   | 30 | 36 | 8  | - |            |
| 36 T5 60  | 2           | 60    | 95.52    | 94.65 | -     | 65   | 30 | 36 | 8  | - |            |

A richiesta si costruiscono pulegge e barre passo T20



# PULEGGE DENTATE PASSO METRICO "T"

T 10 (Passo 10mm) PER CINGHIA LARGHEZZA 16mm

|           | DESCRIZIONE | ESEC. | N. denti | Dp     | De     | Df  | Dm | F  | L  | d  | FLANGIA N. |
|-----------|-------------|-------|----------|--------|--------|-----|----|----|----|----|------------|
| ALLUMINIO | 31 T10 12   | 1F    | 12       | 38.20  | 36.35  | 42  | 28 | 21 | 31 | 6  | 13         |
|           | 31 T10 14   | 1F    | 14       | 44.56  | 42.70  | 48  | 32 | 21 | 31 | 8  | 11         |
|           | 31 T10 15   | 1F    | 15       | 47.75  | 45.90  | 51  | 32 | 21 | 31 | 8  | 16         |
|           | 31 T10 16   | 1F    | 16       | 50.93  | 49.10  | 54  | 35 | 21 | 31 | 8  | 18         |
|           | 31 T10 18   | 1F    | 18       | 57.29  | 55.45  | 60  | 40 | 21 | 31 | 8  | 21         |
|           | 31 T10 19   | 1F    | 19       | 60.48  | 58.65  | 66  | 44 | 21 | 31 | 8  | 24         |
|           | 31 T10 20   | 1F    | 20       | 63.66  | 61.80  | 66  | 46 | 21 | 31 | 8  | 24         |
|           | 31 T10 22   | 1F    | 22       | 70.03  | 68.20  | 75  | 52 | 21 | 31 | 8  | 27         |
|           | 31 T10 24   | 1F    | 24       | 76.39  | 74.55  | 83  | 58 | 21 | 31 | 8  | 29         |
|           | 31 T10 25   | 1F    | 25       | 79.58  | 77.75  | 83  | 60 | 21 | 31 | 8  | 29         |
|           | 31 T10 26   | 1F    | 26       | 82.76  | 80.90  | 87  | 60 | 21 | 31 | 8  | 31         |
|           | 31 T10 27   | 1F    | 27       | 85.95  | 84.10  | 91  | 60 | 21 | 31 | 8  | 32         |
|           | 31 T10 28   | 1F    | 28       | 89.12  | 87.25  | 93  | 60 | 21 | 31 | 8  | 33         |
|           | 31 T10 30   | 1F    | 30       | 95.49  | 93.65  | 102 | 60 | 21 | 31 | 8  | 35         |
|           | 31 T10 32   | 1F    | 32       | 101.86 | 100.00 | 106 | 65 | 21 | 31 | 10 | 38         |
|           | 31 T10 36   | 1F    | 36       | 114.59 | 112.75 | 119 | 70 | 21 | 31 | 10 | 43         |
|           | 31 T10 40   | 1F    | 40       | 127.32 | 125.45 | 131 | 80 | 21 | 31 | 10 | 47         |
|           | 31 T10 44   | 2     | 44       | 140.05 | 138.20 | -   | 88 | 21 | 31 | 10 | -          |
| 31 T10 48 | 2           | 48    | 152.78   | 150.95 | -      | 95  | 21 | 31 | 16 | -  |            |
| 31 T10 60 | 2           | 60    | 190.98   | 189.10 | -      | 110 | 21 | 31 | 16 | -  |            |

T 10 (Passo 10mm) PER CINGHIA LARGHEZZA 25mm

|           | DESCRIZIONE | ESEC. | N. denti | Dp     | De     | Df  | Dm | F  | L  | d  | FLANGIA N. |
|-----------|-------------|-------|----------|--------|--------|-----|----|----|----|----|------------|
| ALLUMINIO | 40 T10 12   | 1F    | 12       | 38.20  | 36.35  | 42  | 28 | 30 | 40 | 6  | 13         |
|           | 40 T10 14   | 1F    | 14       | 44.56  | 42.70  | 48  | 32 | 30 | 40 | 8  | 11         |
|           | 40 T10 15   | 1F    | 15       | 47.75  | 45.90  | 51  | 32 | 30 | 40 | 8  | 16         |
|           | 40 T10 16   | 1F    | 16       | 50.93  | 49.10  | 54  | 35 | 30 | 40 | 8  | 18         |
|           | 40 T10 18   | 1F    | 18       | 57.29  | 55.45  | 60  | 40 | 30 | 40 | 8  | 21         |
|           | 40 T10 19   | 1F    | 19       | 60.48  | 58.65  | 66  | 44 | 30 | 40 | 8  | 24         |
|           | 40 T10 20   | 1F    | 20       | 63.66  | 61.80  | 66  | 46 | 30 | 40 | 8  | 24         |
|           | 40 T10 22   | 1F    | 22       | 70.03  | 68.20  | 75  | 52 | 30 | 40 | 8  | 27         |
|           | 40 T10 24   | 1F    | 24       | 76.39  | 74.55  | 83  | 58 | 30 | 40 | 8  | 29         |
|           | 40 T10 25   | 1F    | 25       | 79.58  | 77.75  | 83  | 60 | 30 | 40 | 8  | 29         |
|           | 40 T10 26   | 1F    | 26       | 82.76  | 80.90  | 87  | 60 | 30 | 40 | 8  | 31         |
|           | 40 T10 27   | 1F    | 27       | 85.95  | 84.10  | 91  | 60 | 30 | 40 | 8  | 32         |
|           | 40 T10 28   | 1F    | 28       | 89.12  | 87.25  | 93  | 60 | 30 | 40 | 8  | 33         |
|           | 40 T10 30   | 1F    | 30       | 95.49  | 93.65  | 102 | 60 | 30 | 40 | 8  | 35         |
|           | 40 T10 32   | 1F    | 32       | 101.86 | 100.00 | 106 | 65 | 30 | 40 | 10 | 38         |
|           | 40 T10 36   | 1F    | 36       | 114.59 | 112.75 | 119 | 70 | 30 | 40 | 10 | 43         |
|           | 40 T10 40   | 1F    | 40       | 127.32 | 125.45 | 131 | 80 | 30 | 40 | 10 | 47         |
|           | 40 T10 44   | 2     | 44       | 140.05 | 138.20 | -   | 88 | 30 | 40 | 10 | -          |
| 40 T10 48 | 2           | 48    | 152.78   | 150.95 | -      | 95  | 30 | 40 | 16 | -  |            |
| 40 T10 60 | 2           | 60    | 190.98   | 189.15 | -      | 110 | 30 | 40 | 16 | -  |            |

A richiesta si costruiscono pulegge e barre passo T20



# PULEGGE DENTATE PASSO METRICO "T"

T 10 (Passo 10mm) PER CINGHIA LARGHEZZA 32mm

|           | DESCRIZIONE | ESEC. | N. denti | Dp     | De     | Df  | Dm | F  | L  | d  | FLANGIA N. |
|-----------|-------------|-------|----------|--------|--------|-----|----|----|----|----|------------|
| ALLUMINIO | 47 T10 18   | 1F    | 18       | 57.29  | 55.45  | 60  | 40 | 37 | 47 | 10 | 21         |
|           | 47 T10 19   | 1F    | 19       | 60.48  | 58.60  | 66  | 44 | 37 | 47 | 10 | 24         |
|           | 47 T10 20   | 1F    | 20       | 63.66  | 61.80  | 66  | 46 | 37 | 47 | 12 | 24         |
|           | 47 T10 22   | 1F    | 22       | 70.03  | 68.20  | 75  | 52 | 37 | 47 | 12 | 27         |
|           | 47 T10 24   | 1F    | 24       | 76.39  | 74.55  | 83  | 58 | 37 | 47 | 12 | 29         |
|           | 47 T10 25   | 1F    | 25       | 79.58  | 77.75  | 83  | 60 | 37 | 47 | 12 | 29         |
|           | 47 T10 26   | 1F    | 26       | 82.76  | 80.90  | 87  | 60 | 37 | 47 | 12 | 31         |
|           | 47 T10 27   | 1F    | 27       | 85.95  | 84.10  | 91  | 60 | 37 | 47 | 12 | 32         |
|           | 47 T10 28   | 1F    | 28       | 89.12  | 87.25  | 93  | 60 | 37 | 47 | 12 | 33         |
|           | 47 T10 30   | 1F    | 30       | 95.49  | 93.65  | 102 | 60 | 37 | 47 | 12 | 35         |
|           | 47 T10 32   | 1F    | 32       | 101.86 | 100.00 | 106 | 65 | 37 | 47 | 12 | 38         |
|           | 47 T10 36   | 1F    | 36       | 114.59 | 112.75 | 119 | 70 | 37 | 47 | 16 | 43         |
|           | 47 T10 40   | 1F    | 40       | 127.32 | 125.45 | 131 | 80 | 37 | 47 | 16 | 47         |
|           | 47 T10 44   | 2     | 44       | 140.05 | 138.20 | -   | 88 | 37 | 47 | 16 | -          |
|           | 47 T10 48   | 2     | 48       | 152.78 | 150.95 | -   | 95 | 37 | 47 | 16 | -          |
| 47 T10 60 | 2           | 60    | 190.98   | 189.10 | -      | 110 | 37 | 47 | 16 | -  |            |

T 10 (Passo 10mm) PER CINGHIA LARGHEZZA 50mm

|           | DESCRIZIONE | ESEC. | N. denti | Dp     | De     | Df  | Dm | F  | L  | d  | FLANGIA N. |
|-----------|-------------|-------|----------|--------|--------|-----|----|----|----|----|------------|
| ALLUMINIO | 66 T10 18   | 1F    | 18       | 57.29  | 55.45  | 60  | 40 | 56 | 66 | 10 | 21         |
|           | 66 T10 19   | 1F    | 19       | 60.48  | 58.65  | 66  | 44 | 56 | 66 | 10 | 24         |
|           | 66 T10 20   | 1F    | 20       | 63.66  | 61.80  | 66  | 46 | 56 | 66 | 12 | 24         |
|           | 66 T10 22   | 1F    | 22       | 70.03  | 68.20  | 75  | 52 | 56 | 66 | 12 | 27         |
|           | 66 T10 24   | 1F    | 24       | 76.39  | 74.55  | 83  | 58 | 56 | 66 | 12 | 29         |
|           | 66 T10 25   | 1F    | 25       | 79.58  | 77.70  | 83  | 60 | 56 | 66 | 12 | 29         |
|           | 66 T10 26   | 1F    | 26       | 82.76  | 80.90  | 87  | 60 | 56 | 66 | 12 | 31         |
|           | 66 T10 27   | 1F    | 27       | 85.95  | 84.10  | 91  | 60 | 56 | 66 | 12 | 32         |
|           | 66 T10 28   | 1F    | 28       | 89.12  | 87.25  | 93  | 60 | 56 | 66 | 12 | 33         |
|           | 66 T10 30   | 1F    | 30       | 95.49  | 93.65  | 102 | 60 | 56 | 66 | 12 | 35         |
|           | 66 T10 32   | 1F    | 32       | 101.86 | 100.00 | 106 | 65 | 56 | 66 | 12 | 38         |
|           | 66 T10 36   | 1F    | 36       | 114.59 | 112.75 | 119 | 70 | 56 | 66 | 16 | 43         |
|           | 66 T10 40   | 1F    | 40       | 127.32 | 125.45 | 131 | 80 | 56 | 66 | 16 | 47         |
|           | 66 T10 44   | 2     | 44       | 140.05 | 138.20 | -   | 88 | 56 | 66 | 16 | -          |
|           | 66 T10 48   | 2     | 48       | 152.78 | 150.95 | -   | 95 | 56 | 66 | 16 | -          |
| 66 T10 60 | 2           | 60    | 190.98   | 189.10 | -      | 110 | 56 | 66 | 16 | -  |            |

A richiesta si costruiscono pulegge e barre passo T20