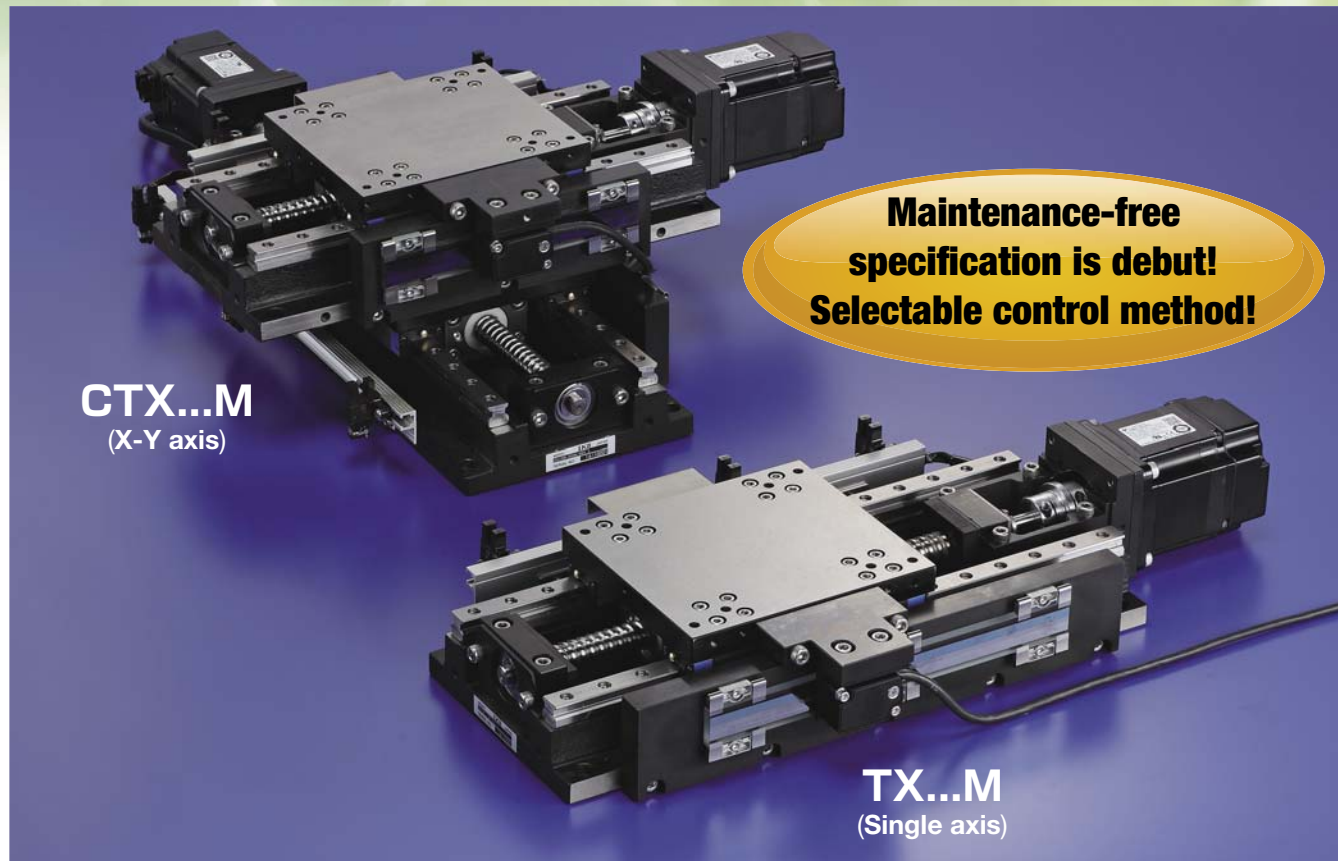
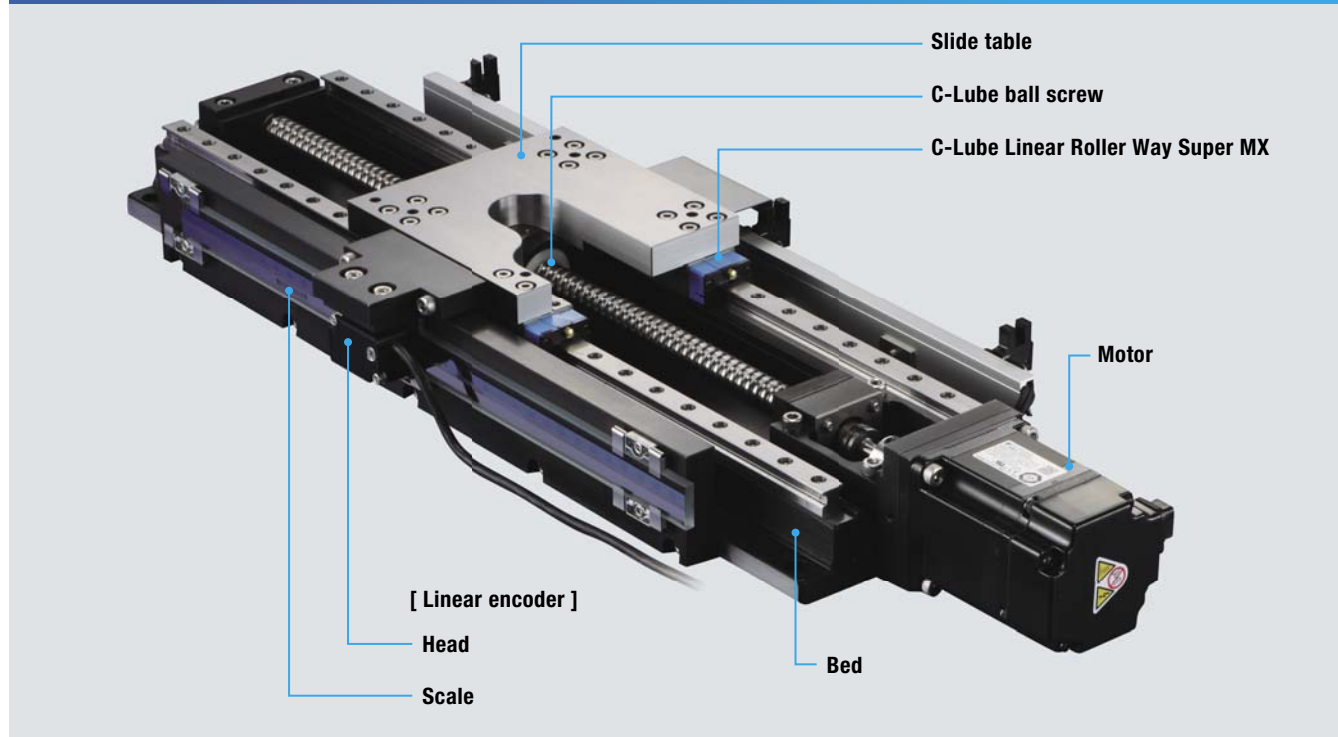


Super Precision Positioning Table TX TX...M, CTX...M



High Precision Positioning Table TX has realized almost as high positioning performance as the air stage by incorporated the ultimate rolling guide IKO Liner Roller Way Super X in IKO Precision Positioning Table LH which is well-known for high accuracy and high rigidity as the base.

Structure of TX...M and CTX...M



Features

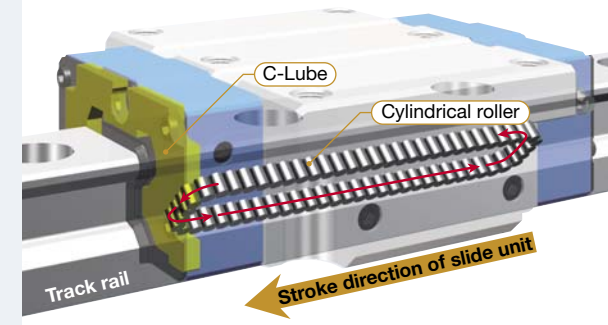
1 Long-term maintenance free!

Long-term maintenance-free feature is achieved by lubricating part, C-Lube built-in linear motion rolling guide and ball screw. Not only reduction of the cost of lubrication management and system, reliability of machine is improved.

Long-term maintenance-free feature is achieved by lubricating part, C-Lube built-in

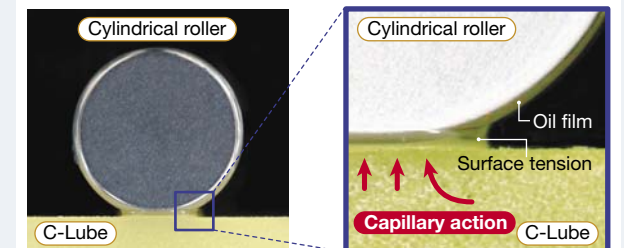
Lubricant is distributed by the circulation of the steel balls

Lubricant is supplied directly to the steel balls. As the steel balls circulate, the lubricant is distributed to the loading area along the track rail. This results in adequate lubrication being properly maintained in the loading area for a long time.



Lubricant is deposited directly to the surface of the steel balls

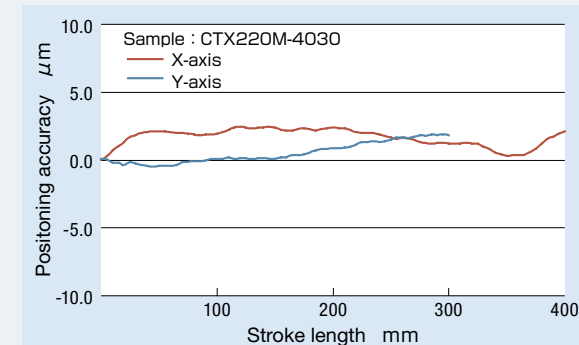
The surface of C-Lube is always covered with the lubricant. Lubricant is continuously supplied to the surface of steel ball by surface tension in the contact of C-Lube surface and steel balls. New oil permeates automatically from the core of C-Lube to the internal surface that comes in contact with steel balls.



2 Ultimate positioning performance!

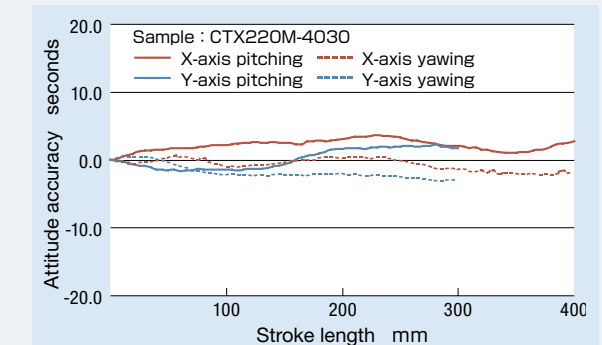
High positioning accuracy and resolution due to super-high accuracy linear encoder

By directly feeding back positional information from the super-high accuracy linear encoder of a resolution of 0.016 μm , a full-closed-loop control system is established. This control system assures high positioning accuracy in the whole stroke length.



Ultimate running accuracy by adopting Linear Roller Way Super X

Rolling guide type of ultimate running accuracy thanks to good combination of components that are machined and assembled very accurately and IKO Linear Roller Way Super X that demonstrates the best running accuracy.



3 Selectable control method to fit for use!

Suitable control method can be selected because AC servomotor and stepper motor are prepared with optional linear encoder.