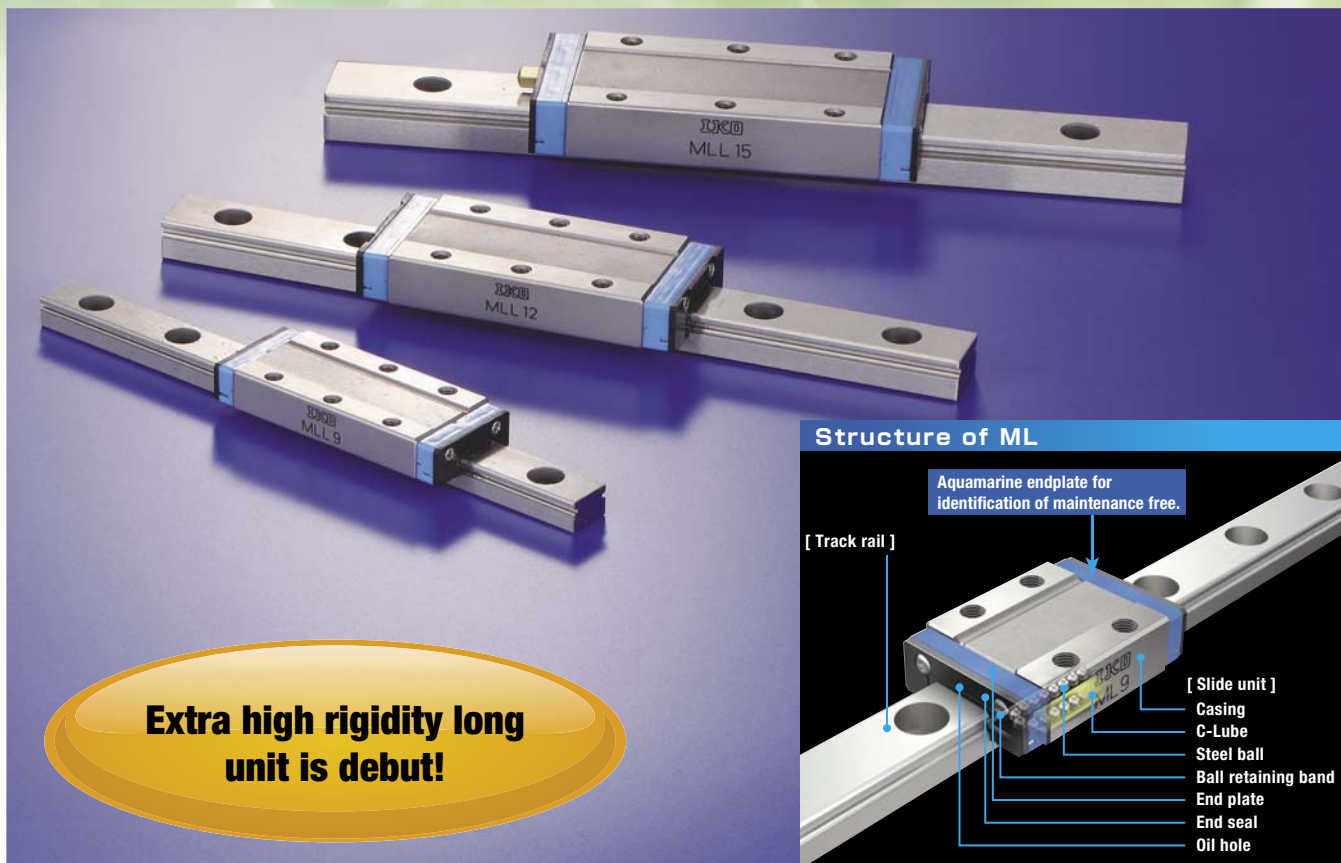


# CAT-5510.1 C-Lube Linear Way ML MLL9, 12, 15



**Extra high rigidity long unit is debut!**

ML series is a linear motion rolling guide of the super-small size invented by an original small sizing technology. Stabilized accuracy and rigidity can be obtained even under the usage in which load that of the direction and the size change and compound load even though it is extremely small because of the structure of the arrangement of the steel ball with four point contacts in two row raceways.

Variation of C-Lube Linear Way ML

Shape	Length of slide unit	Model	Size						
			5	7	9	12	15	20	25
Standard type	Short	MLC	○	○	○	○	○	○	○
	Standard	ML	○	○	○	○	○	○	○
	High rigidity long	MLG	—	○	○	○	○	○	○
<b>New</b>	Extra high rigidity long	MLL	—	—	○	○	○	—	—

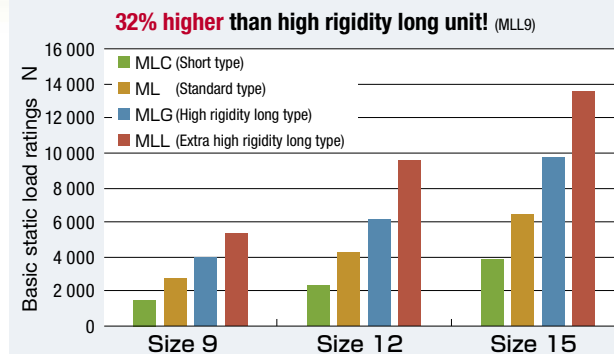
Shape	Length of slide unit	Model	Size					
			10	14	18	24	30	42
Wide type	Short	MLFC	○	○	○	○	○	○
	Standard	MLF	○	○	○	○	○	○
	High rigidity long	MLFG	—	○	○	○	○	○

Remark   Interchangeable specification which enables combination of slide unit and track rail freely is available.

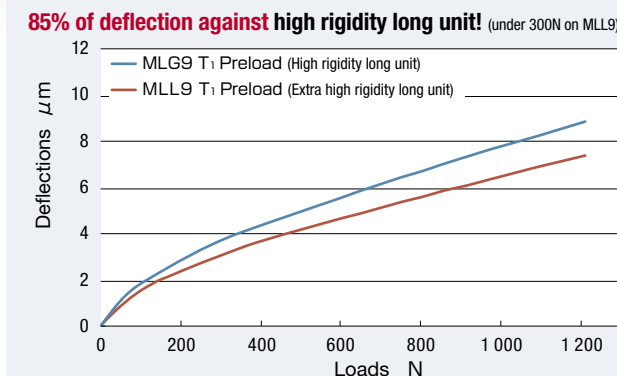
## Features

### 1 Upgrading of load capacity and rigidity on your machine!

Comparison of basic static load ratings

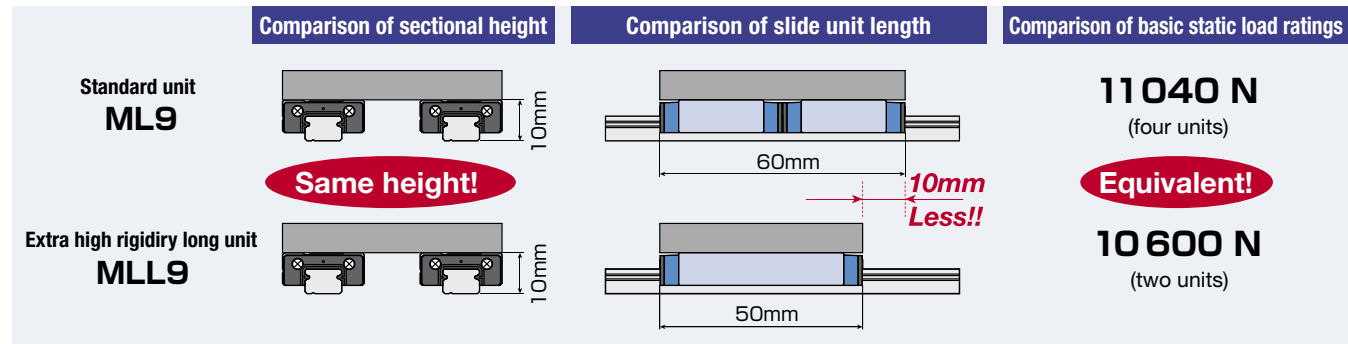


Comparison of elastic deformation under downward load



### 2 Contributing to downsizing of guide mechanism!

Enable downsizing of the machines and devices in same height.



### 3 Achieving of precision transferring mechanism!

Enable to achieve ultra-high precision transferring mechanism due to about a half of running accuracy comparing with High rigidity long unit.

