

ASAHI



JP-1973



JQA-1973

BALL BEARING UNITS

SILVER series, Eccentric locking collar type · Set-screw type

STAINLESS SILVER series, Eccentric locking collar type

*A key to cost-energy-space
saving machine designs!*



- **QUICK, ACCURATE POSITIONING BY CENTER-LINE MARKS**

Center-line marks provided on housing offer easy, quick and exact positioning, eliminating need for adjustment after mounting. For positioning, just scribe the lines on supporting frame and match them with the center-line marks.

- **COMPACT & LIGHT-WEIGHTED**

This feature permits high performance and more space-saving machine and equipment designs.

- **EASY & QUICK TO MOUNT**

Eccentric locking collar or set-screw ensures fast and positive locking of bearing to the shaft.

- **HIGH SEALING EFFICIENCY**

Bearings are effectively sealed. For added protection against dust and humid, units fitted with stainless steel end covers are also available.

- **HIGH ANTI-CORROSIVENESS (STAINLESS SILVER series)**

Suitable for applications under adverse environmental conditions.

- **HIGH SPEED OPERATION**

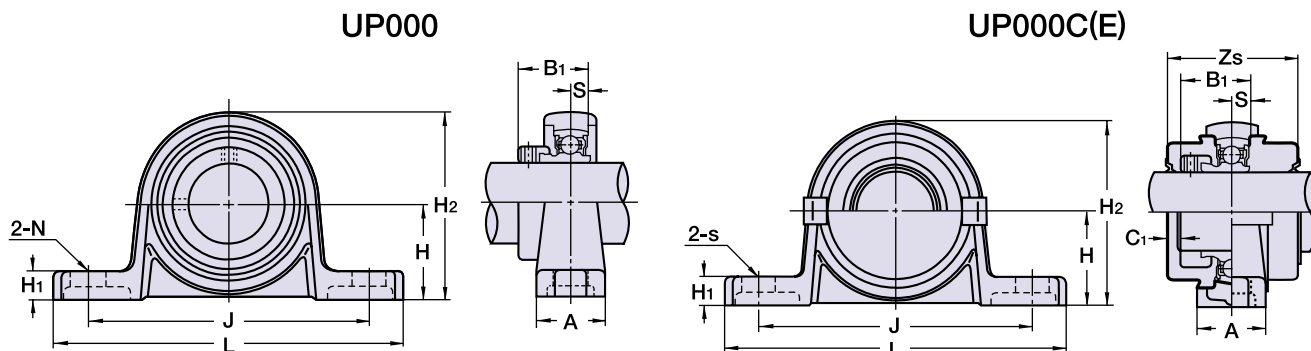
Compact bearing design permits high speed operation.

ASAHI SEIKO CO., LTD.

Pillow blocks Eccentric locking collar type

UP000 type

UP000C(E) type



Shaft dia. (mm)	Unit No.	Dimensions (mm)											Mounting bolt size
		H	L	J	A	N	H ₁	H ₂	B ₁	S	C ₁	Z _s	
8	※ UP08	15	55	42	13	4.8	5	29	15	3.5	—	—	M 4
10	UP000	18	67	53	16	7	6	35	17.5	4	2	33	M 6
12	UP001	19	71	56	16	7	6	38	17.5	4	2	33	M 6
15	UP002	22	80	63	16	7	7	43	18.5	4.5	2	34	M 6
17	UP003	24	85	67	18	7	7	47	20.5	5	2	38	M 6
20	UP004	28	100	80	20	10	9	55	24.5	6	3	46	M 8
25	UP005	32	112	90	20	10	10	62	25.5	6	3	47	M 8
30	UP006	36	132	106	26	13	11	70	26.5	6.5	4	50	M10

Bearing		Housing No.	Unit No. with covers	Stainless steel cover No.		Weight (g)		
Bearing No.	Basic load rating (kN)			Open(closed)	Open	Closed	Normal	With cover
U08 +ER	3.35	1.67	※ P08	—	—	—	47	—
U000 +ER	4.6	2	P000	UP000C(E)	000CP10	000CPE	77	85
U001 +ER	5.1	2.4	P001	UP001C(E)	001CP12	001CPE	91	100
U002 +ER	5.6	2.8	P002	UP002C(E)	002CP15	002CPE	125	135
U003 +ER	6	3.3	P003	UP003C(E)	003CP17	003CPE	156	170
U004 +ER	9.35	5.1	P04-5	UP004C(E)	04-5CP20	04-5CPE	230	250
U005 +ER	10.1	5.8	P05-6	UP005C(E)	05-6CP25	05-6CPE	294	315
U006 +ER	13.2	8.3	P06-7	UP006C(E)	06-7CP30	06-7CPE	454	480

Note: ※For availability of UP08, please check with us.

Cr: Dynamic load rating, Cor: Static load rating

●Tolerances

In conformity with JIS B 1558 on ball bearings for units and JIS B 1559 on housings for bearing units.

●Operating temperature range

−10°C to +80°C. For operating temperature beyond this range, please consult us.

●Shaft selection

Unit: μm

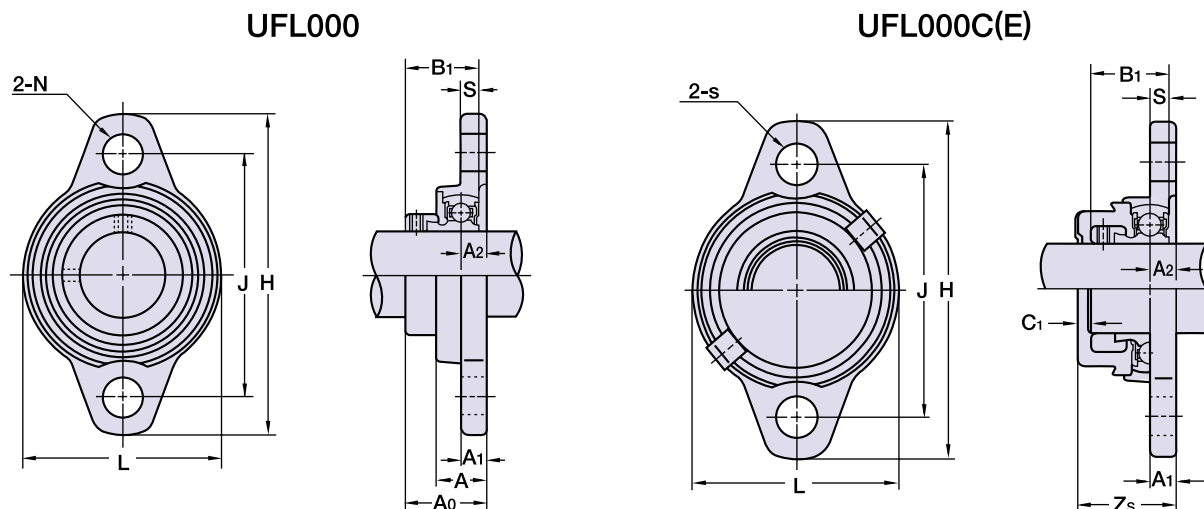
Shaft dia. (mm)		js7	h7
Over	Incl.		
6	10	± 7.5	0~−15
10	18	± 9	0~−18
18	30	± 10.5	0~−21
30	50	± 12.5	0~−25

Note: Use tight fit for applications involving high speed and vibration.

Two-bolt flange units Eccentric locking collar type

UFL000 type

UFL000C(E) type



Shaft dia. (mm)	Unit No.	Dimensions (mm)												Mounting bolt size
		H	J	A1	A2	A	N	L	A0	B1	S	C1	Zs	
8	UFL08	48	37	4.5	4	8.5	4.8	27	16	15	3.5	—	—	M 4
10	UFL000	60	45	5.5	5.5	11.5	7	36	19	17.5	4	2	22	M 6
12	UFL001	63	48	5.5	5.5	11.5	7	38	19	17.5	4	2	22	M 6
15	UFL002	67	53	6.5	6.5	13	7	42	20.5	18.5	4.5	2	24	M 6
17	UFL003	71	56	7	7	14	7	46	22.5	20.5	5	2	26	M 6
20	UFL004	90	71	8	8	16	10	55	26.5	24.5	6	3	31	M 8
25	UFL005	95	75	8	8	16	10	60	27.5	25.5	6	3	32	M 8
30	UFL006	112	85	9	9	18	13	70	29	26.5	6.5	4	34	M10
35	UFL007	122	95	10	10	20	13	80	32.5	29.5	7	4	38	M10

Bearing		Housing No.	Unit No. with covers	Stainless steel cover No.		Weight (g)		
Bearing No.	Basic load rating (kN)			Open (closed)	Open	Closed	Normal	With cover
	Cr	Cor						
U08 + ER	3.35	1.67	FL08	—	—	—	30	—
U000 + ER	4.6	2	FL000	UFL000C(E)	000CP10	000CPE	60	65
U001 + ER	5.1	2.4	FL001	UFL001C(E)	001CP12	001CPE	76	80
U002 + ER	5.6	2.8	FL002	UFL002C(E)	002CP15	002CPE	100	105
U003 + ER	6	3.3	FL003	UFL003C(E)	003CP17	003CPE	129	135
U004 + ER	9.35	5.1	FL04-5	UFL004C(E)	04-5CP20	04-5CPE	205	215
U005 + ER	10.1	5.8	FL05-6	UFL005C(E)	05-6CP25	05-6CPE	244	255
U006 + ER	13.2	8.3	FL06-7	UFL006C(E)	06-7CP30	06-7CPE	354	370
U007 + ER	15.9	10.3	FL07-8	UFL007C(E)	07-8CP35	07-8CPE	498	520

● Recommended tightening torque of set screws of eccentric collar and axial load capacity

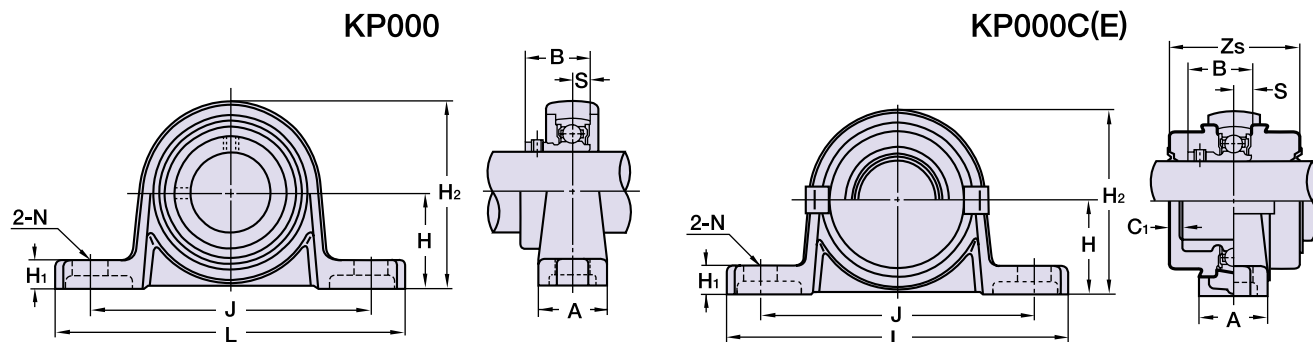
Applicable bearing Nos.	Set-screw No.	Hexagon key No.	Tightening torque (N cm)	Axial load capacity (N)
U08	M3×0.5	1.5	59	390
U000~U003, MU000~MU003	M4×0.7	2	147	880
U004~U006, MU004~MU006	M5×0.8	2.5	294	1760
U007	M6×0.75	3	490	2940

Note: As the operating radial load increases, the axial load carrying capacity also increases.

Pillow blocks Set-screw type

KP000 type

KP000C(E) type



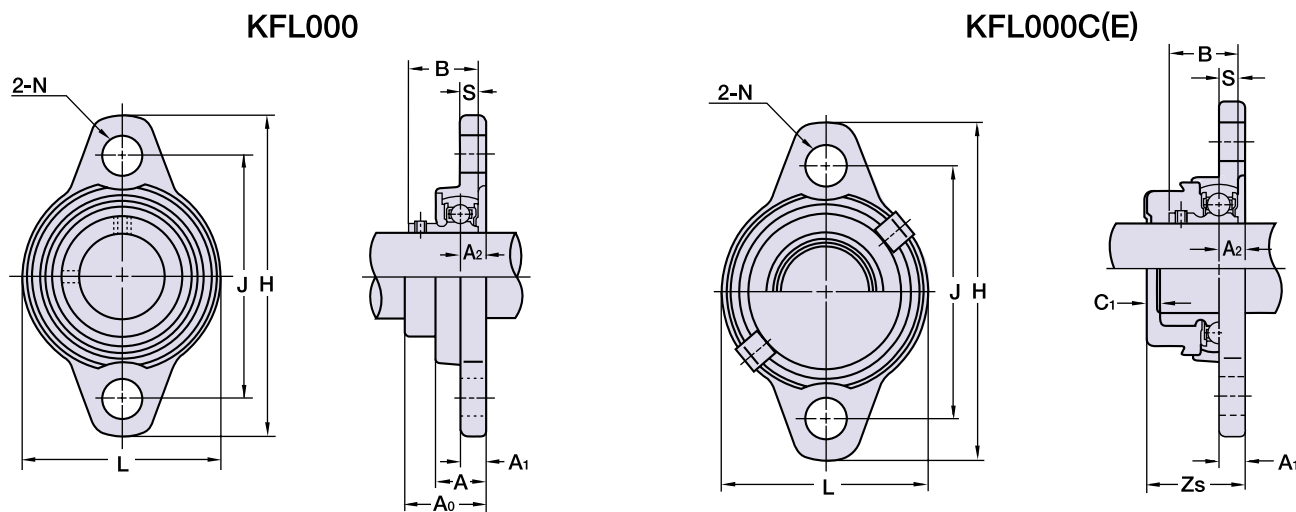
Shaft dia. (mm)	Unit No.	Dimensions (mm)											Mounting bolt size
		H	L	J	A	N	H ₁	H ₂	B	S	C ₁	Z _s	
10	KP000	18	67	53	16	7	6	35	14	4	5.5	33	M 6
12	KP001	19	71	56	16	7	6	38	14.5	4	5	33	M 6
15	KP002	22	80	63	16	7	7	43	16.5	4.5	4	34	M 6
17	KP003	24	85	67	18	7	7	47	17.5	5	5.5	38	M 6
20	KP004	28	100	80	20	10	9	55	21	6	7	46	M 8
25	KP005	32	112	90	20	10	10	62	22.5	6	6	47	M 8
30	KP006	36	132	106	26	13	11	70	24.5	6.5	6	50	M10

Bearing		Housing No.	Unit No. with covers	Stainless steel cover No.		Weight (g)		
Bearing No.	Basic load rating (kN)			Open (closed)	Open	Closed	Normal	With cover
	Cr	Cor						
K000	4.6	2	P000	P000C(E)	000CP10	000CPE	70	78
K001	5.1	2.4	P001	P001C(E)	001CP12	001CPE	80	89
K002	5.6	2.8	P002	P002C(E)	002CP15	002CPE	120	130
K003	6	3.3	P003	P003C(E)	003CP17	003CPE	140	154
K004	9.35	5.1	P04-5	P004C(E)	04-5CP20	04-5CPE	210	230
K005	10.1	5.8	P05-6	P005C(E)	05-6CP25	05-6CPE	270	291
K006	13.2	8.3	P06-7	P006C(E)	06-7CP30	06-7CPE	410	436

Two-bolt flange units Set-screw type

KFL000 type

KFL000C(E) type



Shaft dia. (mm)	Unit No.	Dimensions (mm)												Mounting bolt size
		H	J	A ₁	A ₂	A	N	L	A ₀	B	S	C ₁	Z _s	
10	KFL000	60	45	5.5	5.5	11.5	7	36	15.5	14	4	6	22	M 6
12	KFL001	63	48	5.5	5.5	11.5	7	38	16	14.5	4	5.5	22	M 6
15	KFL002	67	53	6.5	6.5	13	7	42	18.6	16.5	4.5	5	24	M 6
17	KFL003	71	56	7	7	14	7	46	19.5	17.5	5	6	26	M 6
20	KFL004	90	71	8	8	16	10	55	23	21	6	7.5	31	M 8
25	KFL005	95	75	8	8	16	10	60	24.5	22.5	6	7	32	M 8
30	KFL006	112	85	9	9	18	13	70	27	24.5	6.5	6.5	34	M10

Bearing			Housing No.	Unit No. with covers	Stainless steel cover No.		Weight (g)		
Bearing No.	Basic load rating (kN)				Open(closed)	Open	Closed	Normal	With cover
	Cr	Cor							
K000	4.6	2	FL000	KFL000C(E)	000CP10	000CPE	50	55	
K001	5.1	2.4	FL001	KFL001C(E)	001CP12	001CPE	70	74	
K002	5.6	2.8	FL002	KFL002C(E)	002CP15	002CPE	90	95	
K003	6	3.3	FL003	KFL003C(E)	003CP17	003CPE	115	121	
K004	9.35	5.1	FL04-5	KFL004C(E)	04-5CP20	04-5CPE	190	200	
K005	10.1	5.8	FL05-6	KFL005C(E)	05-6CP25	05-6CPE	220	231	
K006	13.2	8.3	FL06-7	KFL006C(E)	06-7CP30	06-7CPE	340	356	

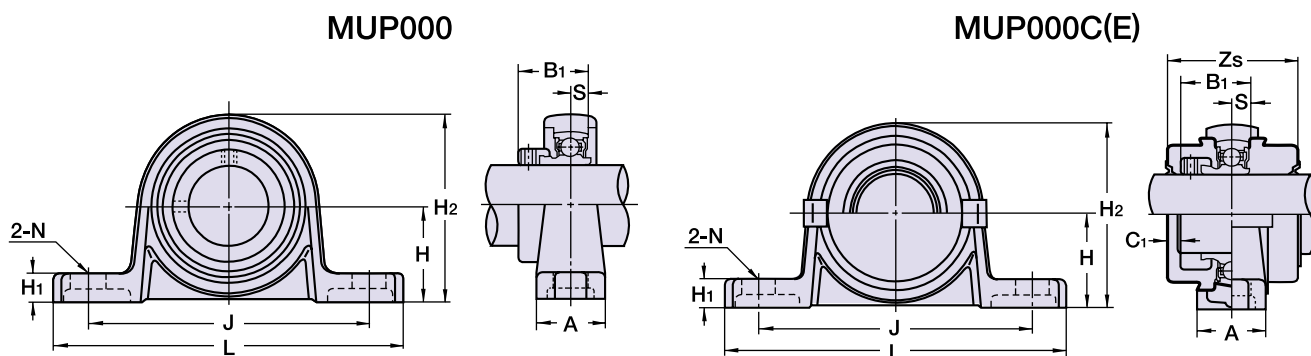
● Recommended tightening torque of set screws and axial load capacity

Applicable bearing Nos.	Set-screw No.	Hexagon key No.	Tightening torque (N·m)	Axial load capacity (N)
K000 , K001	M3×0.35	1.5	0.59	350
K002 , K003	M4×0.5	2	1.47	430
K004~K006	M5×0.5	2.5	2.94	720

Pillow blocks Eccentric locking collar type

MUP000 type

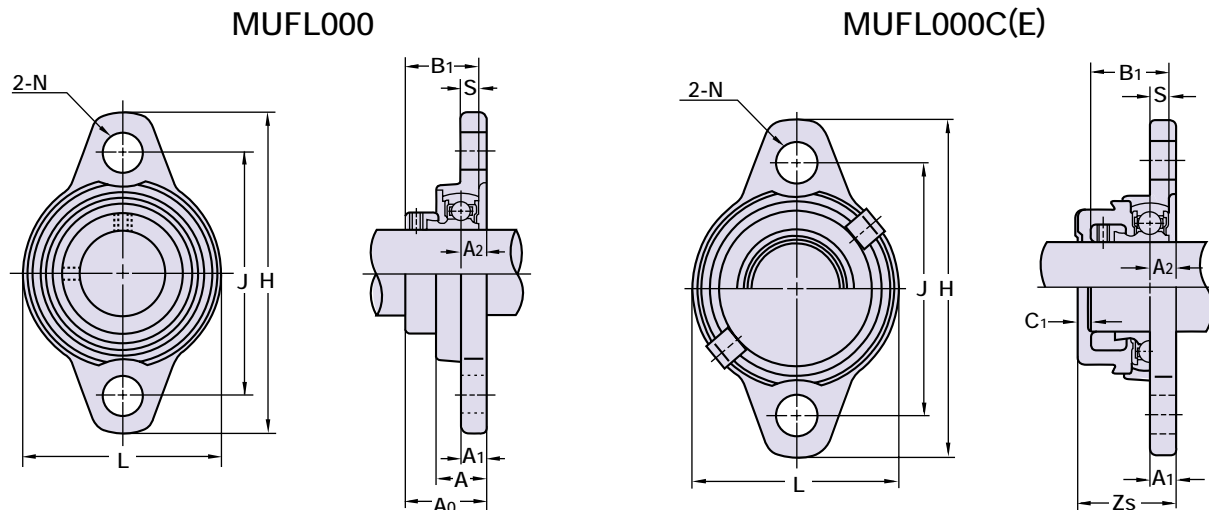
MUP000C(E) type



Shaft dia. (mm)	Unit No.	Dimensions (mm)											Mounting bolt size
		H	L	J	A	N	H ₁	H ₂	B ₁	S	C ₁	Z _s	
10	<i>MUP000</i>	18	67	53	16	7	6	35	17.5	4	2	33	M 6
12	<i>MUP001</i>	19	71	56	16	7	6	38	17.5	4	2	33	M 6
15	<i>MUP002</i>	22	80	63	16	7	7	43	18.5	4.5	2	34	M 6
17	<i>MUP003</i>	24	85	67	18	7	7	47	20.5	5	2	38	M 6
20	<i>MUP004</i>	28	100	80	20	10	9	55	24.5	6	3	46	M 8
25	<i>MUP005</i>	32	112	90	20	10	10	62	25.5	6	3	47	M 8
30	<i>MUP006</i>	36	132	106	26	13	11	70	26.5	6.5	4	50	M10

Bearing No.	Bearing		Housing No.	Unit No. with covers	Stainless steel cover No.		Weight (g)	
	Basic load rating (kN)				Open (closed)	Open	Closed	Normal
	Cr	Cor						
<i>MU000+ER</i>	3.9	1.55	<i>P000Z3</i>	<i>MUP000C(E)</i>	000CP10	000CPE	77	85
<i>MU001+ER</i>	4.3	1.9	<i>P001Z3</i>	<i>MUP001C(E)</i>	001CP12	001CPE	91	100
<i>MU002+ER</i>	4.75	2.25	<i>P002Z3</i>	<i>MUP002C(E)</i>	002CP15	002CPE	125	135
<i>MU003+ER</i>	5.1	2.65	<i>P003Z3</i>	<i>MUP003C(E)</i>	003CP17	003CPE	156	170
<i>MU004+ER</i>	7.9	4	<i>P04-5Z3</i>	<i>MUP004C(E)</i>	04-5CP20	04-5CPE	230	250
<i>MU005+ER</i>	8.6	4.65	<i>P05-6Z3</i>	<i>MUP005C(E)</i>	05-6CP25	05-6CPE	294	315
<i>MU006+ER</i>	11.3	6.6	<i>P06-7Z3</i>	<i>MUP006C(E)</i>	06-7CP30	06-7CPE	454	480

Two-bolt flange units Eccentric locking collar type
MUFL000 type
MUFL000C(E) type



Shaft dia. (mm)	Unit No.	Dimensions (mm)												Mounting bolt size
		H	J	A ₁	A ₂	A	N	L	A ₀	B ₁	S	C ₁	Z _s	
10	<i>MUFL000</i>	60	45	5.5	5.5	11.5	7	36	19	17.5	4	2	22	M 6
12	<i>MUFL001</i>	63	48	5.5	5.5	11.5	7	38	19	17.5	4	2	22	M 6
15	<i>MUFL002</i>	67	53	6.5	6.5	13	7	42	20.5	18.5	4.5	2	24	M 6
17	<i>MUFL003</i>	71	56	7	7	14	7	46	22.5	20.5	5	2	26	M 6
20	<i>MUFL004</i>	90	71	8	8	16	10	55	26.5	24.5	6	3	31	M 8
25	<i>MUFL005</i>	95	75	8	8	16	10	60	27.5	25.5	6	3	32	M 8
30	<i>MUFL006</i>	112	85	9	9	18	13	70	29	26.5	6.5	4	34	M10

Bearing			Housing No.	Unit No. with covers	Stainless steel cover No.		Weight (g)		
Bearing No.	Basic load rating (kN)				Open (closed)	Open	Closed	Normal	With cover
	Cr	Cor							
<i>MU000 + ER</i>	3.9	1.55	<i>FL000Z3</i>	<i>MUFL000C(E)</i>	000CP10	000CPE	60	65	
<i>MU001 + ER</i>	4.3	1.9	<i>FL001Z3</i>	<i>MUFL001C(E)</i>	001CP12	001CPE	76	80	
<i>MU002 + ER</i>	4.75	2.25	<i>FL002Z3</i>	<i>MUFL002C(E)</i>	002CP15	002CPE	100	105	
<i>MU003 + ER</i>	5.1	2.65	<i>FL003Z3</i>	<i>MUFL003C(E)</i>	003CP17	003CPE	129	135	
<i>MU004 + ER</i>	7.9	4	<i>FL04-5Z3</i>	<i>MUFL004C(E)</i>	04-5CP20	04-5CPE	205	215	
<i>MU005 + ER</i>	8.6	4.65	<i>FL05-6Z3</i>	<i>MUFL005C(E)</i>	05-6CP25	05-6CPE	244	255	
<i>MU006 + ER</i>	11.3	6.6	<i>FL06-7Z3</i>	<i>MUFL006C(E)</i>	06-7CP30	06-7CPE	354	370	

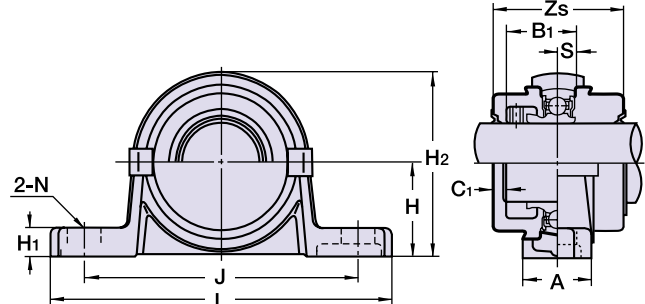
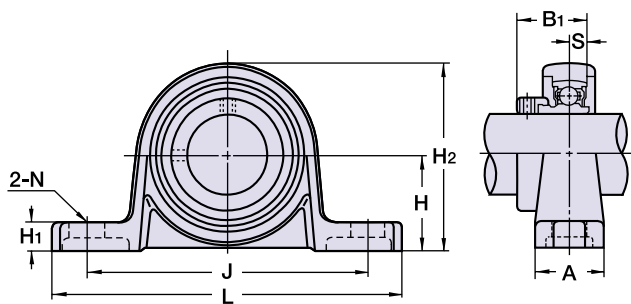
"FD-GREASE" & "STAINLESS STEEL locking collar"

Ideal for Food Processing Machinery

Pillow blocks

MUP000-U2 type

MUP000C(E)-U2 type



Shaft dia. (mm)	Unit No.	Dimensions (mm)											Mounting bolt size
		H	L	J	A	N	H ₁	H ₂	B ₁	S	C ₁	Z _s	
10	MUP000-U2	18	67	53	16	7	6	35	17.5	4	2	33	M 6
12	MUP001-U2	19	71	56	16	7	6	38	17.5	4	2	33	M 6
15	MUP002-U2	22	80	63	16	7	7	43	18.5	4.5	2	34	M 6
17	MUP003-U2	24	85	67	18	7	7	47	20.5	5	2	38	M 6
20	MUP004-U2	28	100	80	20	10	9	55	24.5	6	3	46	M 8
25	MUP005-U2	32	112	90	20	10	10	62	25.5	6	3	47	M 8
30	MUP006-U2	36	132	106	26	13	11	70	26.5	6.5	4	50	M10

Bearing No.	Bearing		Housing No.	Unit No. with covers	Stainless steel cover No.		Weight (g)	
	Basic load rating (kN)				Open (closed)	Open	Closed	Normal
	Cr	Cor						
MUE000UL241MSG	3.9	1.55	P000Z3	MUP000C(E)-U2	000CP10	000CPE	77	85
MUE001UL241MSG	4.3	1.9	P001Z3	MUP001C(E)-U2	001CP12	001CPE	91	100
MUE002UL241MSG	4.75	2.25	P002Z3	MUP002C(E)-U2	002CP15	002CPE	125	135
MUE003UL241MSG	5.1	2.65	P003Z3	MUP003C(E)-U2	003CP17	003CPE	156	170
MUE004UL241MSG	7.9	4	P04-5Z3	MUP004C(E)-U2	04-5CP20	04-5CPE	230	250
MUE005UL241MSG	8.6	4.65	P05-6Z3	MUP005C(E)-U2	05-6CP25	05-6CPE	294	315
MUE006UL241MSG	11.3	6.6	P06-7Z3	MUP006C(E)-U2	06-7CP30	06-7CPE	454	480

When ordering, specify the unit number and bearing number as follows to indicate the combination of **FD-GREASE** and **STAINLESS STEEL** locking collar:

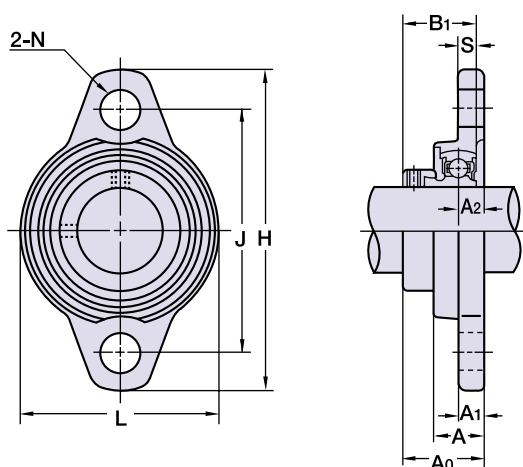
Examples :

Bearing Unit : MUP000-U2, MUFL000-U2

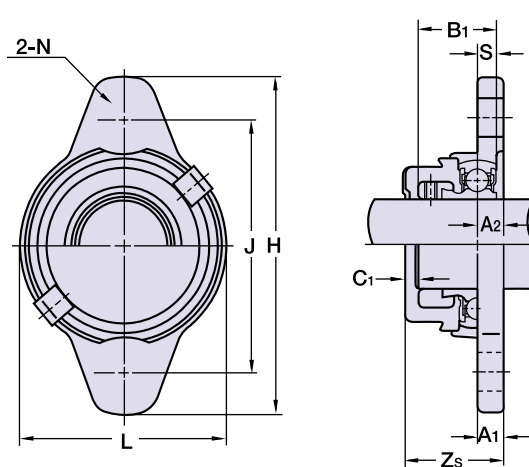
Insert Bearing with stainless steel locking collar : MUE000UL241MSG

Two-bolt flange units

MUFL000-U2 type



MUFL000C(E)-U2 type



Shaft dia. (mm)	Unit No.	Dimensions (mm)												Mounting bolt size
		H	J	A ₁	A ₂	A	N	L	A ₀	B ₁	S	C ₁	Z _s	
10	MUFL000-U2	60	45	5.5	5.5	11.5	7	36	19	17.5	4	2	22	M 6
12	MUFL001-U2	63	48	5.5	5.5	11.5	7	38	19	17.5	4	2	22	M 6
15	MUFL002-U2	67	53	6.5	6.5	13	7	42	20.5	18.5	4.5	2	24	M 6
17	MUFL003-U2	71	56	7	7	14	7	46	22.5	20.5	5	2	26	M 6
20	MUFL004-U2	90	71	8	8	16	10	55	26.5	24.5	6	3	31	M 8
25	MUFL005-U2	95	75	8	8	16	10	60	27.5	25.5	6	3	32	M 8
30	MUFL006-U2	112	85	9	9	18	13	70	29	26.5	6.5	4	34	M10

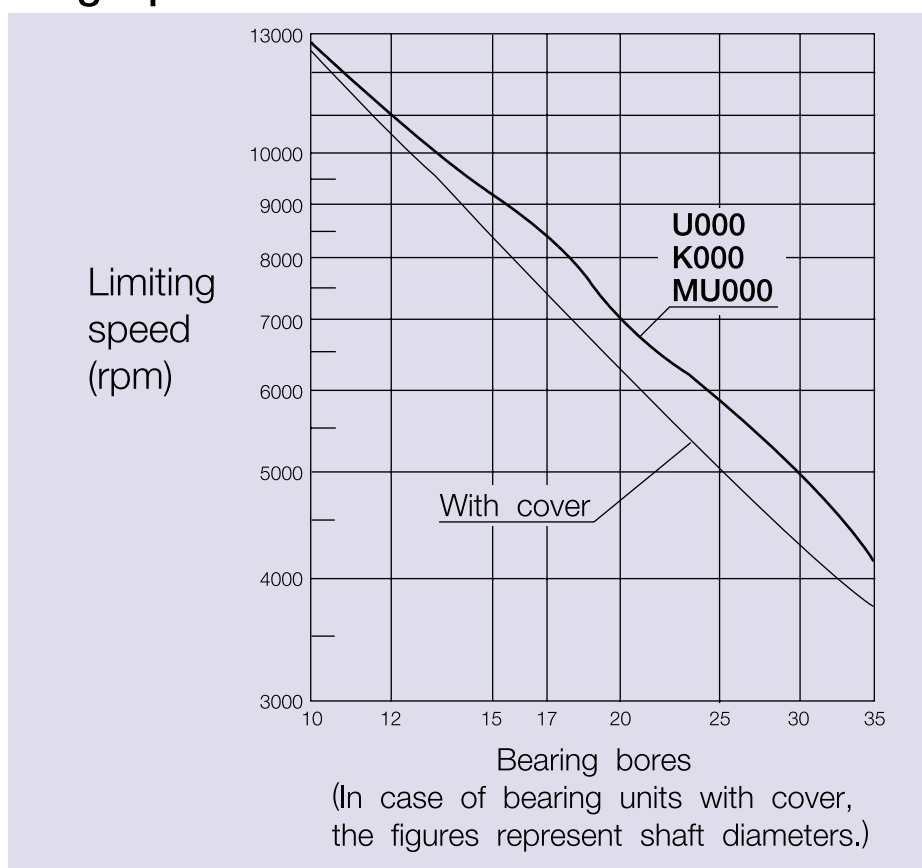
Bearing No.	Bearing		Housing No.	Unit No. with covers	Stainless steel cover No.		Weight (g)	
	Basic load rating (kN)				Open (closed)	Open	Closed	Normal
	Cr	Cor						
MUE000UL241MSG	3.9	1.55	FL000Z3	MUFL000C(E)-U2	000CP10	000CPE	60	65
MUE001UL241MSG	4.3	1.9	FL001Z3	MUFL001C(E)-U2	001CP12	001CPE	76	80
MUE002UL241MSG	4.75	2.25	FL002Z3	MUFL002C(E)-U2	002CP15	002CPE	100	105
MUE003UL241MSG	5.1	2.65	FL003Z3	MUFL003C(E)-U2	003CP17	003CPE	129	135
MUE004UL241MSG	7.9	4	FL04-5Z3	MUFL004C(E)-U2	04-5CP20	04-5CPE	205	215
MUE005UL241MSG	8.6	4.65	FL05-6Z3	MUFL005C(E)-U2	05-6CP25	05-6CPE	244	255
MUE006UL241MSG	11.3	6.6	FL06-7Z3	MUFL006C(E)-U2	06-7CP30	06-7CPE	354	370

●Materials

Series	SILVER		STAINLESS SILVER		STAINLESS SILVER & FD -grease(*)
Unit No.	UP000, UP000C(E),	UFL000 UFL000C(E)	MUP000, MUP000C(E),	MUFL000 MUFL000C(E)	MUP000-U2, MUP000C(E)-U2, MUFL000-U2, MUFL000C(E)-U2
	KP000, KP000C(E),	KFL000 KFL000C(E)	—————		—————
Bearing	High carbon chromium bearing steel (SUJ2)		Stainless steel (SUS440C)		
Rubber seal	Nitril rubber (NBR)				
Eccentric locking collar	Carbon steel for machine structure (S20C)			Stainless steel (SUS304)	
	Black oxide treatment		Electro plated		
Set screw	Chrome molybdenum steel (SCM435)		—————		—————
Housing	Zincalloy die-casting (ZDC)				
	—————		Electro plated		
Cover & clip	Stainless steel (SUS430)				

(*) **FD-grease:** Authorized and accepted by USDA (United States Department of Agriculture) and approved as USDA H-1 grade grease.

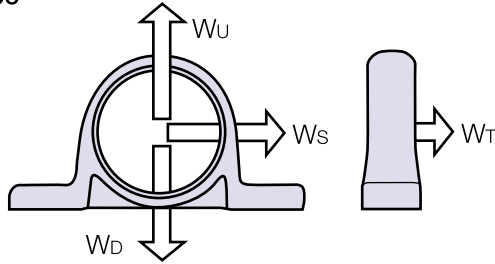
●Limiting speed



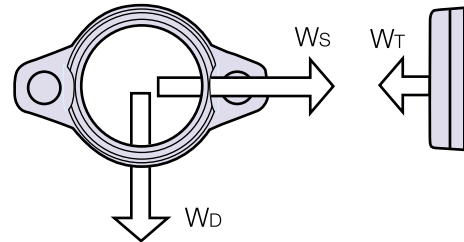
● Breaking strength of housings

Directions of load applied

P-type



FL-type



Unit : kN

	Housing No.	W _U , W _D	W _S	W _T	Housing No.	W _D	W _S	W _T
Silver Series	P000	7.06	3.5	1.76	FL000	7.06	3.5	1.76
	P001	7.55	3.92	1.96	FL001	7.55	3.92	1.96
	P002	8.62	4.7	2.16	FL002	8.62	4.7	2.16
	P003	9.41	5.29	2.55	FL003	9.41	5.29	2.55
	P04-5	12.2	6.66	3.33	FL04-5	12.2	6.66	3.33
	P05-6	14.9	7.84	3.92	FL05-6	14.9	7.84	3.92
	P06-7	19.8	9.8	5.1	FL06-7	19.8	9.8	5.1
					FL07-8	24.8	12.2	6.17

— Specifications are subject to change without prior notice —